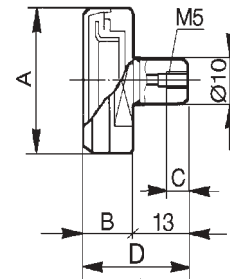


Размеры и данные по заказу

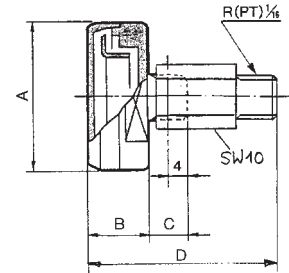
| Номер для заказа | Диапазон давлений (МПа) | Присоед. резьба | A | B | C | D | E | F | G | | | | | | | |
|------------------|-------------------------|-----------------|------------|----|-----|------|----|----|-----|------|----|--|--|--|--|--|
| G27-10-M5-X201 | 0 ~ 1 | M5 (внутр.) | 26 | 11 | 13 | 24 | | | | | | | | | | |
| G27-10-R1-X209 | | Rc1/16 | | | 4 | 35 | | | | | | | | | | |
| G27-10-R1 | | | | | 6.5 | 17.5 | | | | | | | | | | |
| G27-20-R1 | 0 ~ 2 | | | | | | | | | | | | | | | |
| K4-2.5-50 | 0 ~ 0.25 | G1/4 | 50 | 27 | 10 | 44 | | | | | | | | | | |
| K4-4-50 | 0 ~ 0.4 | | | | | | | | | | | | | | | |
| K4-10-50 | 0 ~ 1 | | | | | | | | | | | | | | | |
| K4-16-50 | 0 ~ 1.6 | | | | | | | | | | | | | | | |
| K4-2.5-40 | 0 ~ 0.25 | | | | | | | | | 40 | | | | | | |
| K4-10-40 | 0 ~ 1 | | | | | | | | | | | | | | | |
| K8-2.5-50 | 0 ~ 0.25 | | | | | | | | | G1/8 | 50 | | | | | |
| K8-4-50 | 0 ~ 0.4 | | | | | | | | | | | | | | | |
| K8-10-50 | 0 ~ 1 | | | | | | | | | | | | | | | |
| K8-2.5-40 | 0 ~ 0.25 | 40 | | | | | | | | | | | | | | |
| K8-10-40 | 0 ~ 1 | | | | | | | | | | | | | | | |
| K8-16-40 | 0 ~ 1.6 | | | | | | | | | | | | | | | |
| KP8-2.5-50 | 0 ~ 0.25 | R1/8 (наружн.) | 50 | 32 | 10 | 49 | 60 | 55 | 5.5 | | | | | | | |
| KP8-4-50 | 0 ~ 0.4 | M5 (внутр.) | | | | | | | | | | | | | | |
| KP8-10-50 | 0 ~ 1 | | 40 | | | | 48 | 50 | 43 | 4.5 | | | | | | |
| KP8-16-50 | 0 ~ 1.6 | | | | | | | | | | | | | | | |
| KP8-2.5-40 | 0 ~ 0.25 | | | | | | | | | | | | | | | |
| KP8-4-40 | 0 ~ 0.4 | | | | | | | | | | | | | | | |
| KP8-10-40 | 0 ~ 1 | | | | | | | | | | | | | | | |
| KP8-16-40 | 0 ~ 1.6 | | | | | | | | | | | | | | | |
| GA46-10-01 | 0 ~ 1 | R1/8 | см. чертёж | | | | | | | | | | | | | |
| GA46-10-02 | | R1/4 | | | | | | | | | | | | | | |

G27-10-M5-X201¹⁾

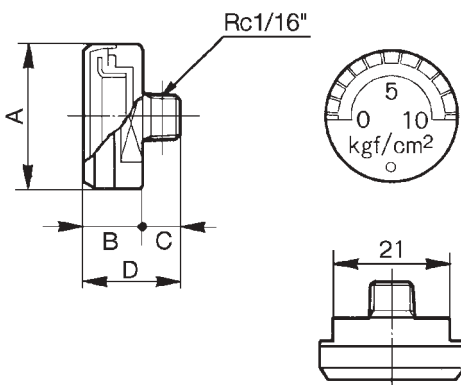


¹⁾ Для монтажа требуется двойной нипель M-5N

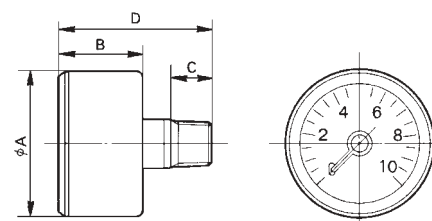
G27-10-R1-X209



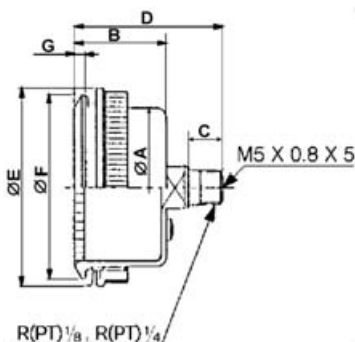
G27-10-R1/G27-20-R1



K4, K8



KP



GA46

